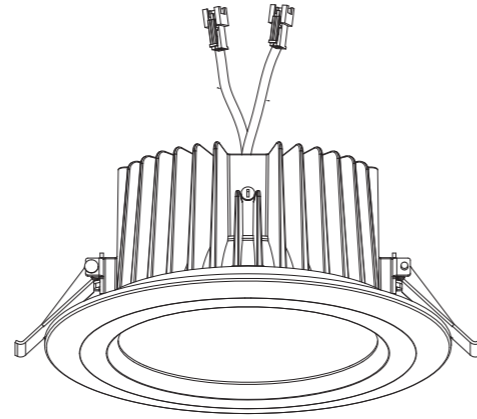


MODEL# VV-DWL-6-30-H, VV-DWL-6-30-L
**ANTI-BACTERIAL / CLEAN
 MODE RECESSED RETROFIT**



SAFETY INFORMATION/CONSIGNES DE SÉCURITÉ/INFORMACIÓN DE SEGURIDAD

Please read and understand this entire manual before attempting to assemble, operate or install the product.

WARNING/AVERTISSEMENT/ADVERTENCIA

- Before assembling the lighting fixture, refer to the **CAUTION**. If you feel you do not have enough electrical wiring experience, refer to a do-it-yourself wiring handbook or have the fixture installed by a qualified, licensed electrician.
- Before starting the installation, disconnect the power by turning off the circuit breaker or by removing the fuse at the fuse box. Turning the power off to the light switch is not sufficient to prevent electrical shock.
- This fixture is suitable for indoor use only.
- To avoid risk of electric shock or fire, do not modify this lamp; if any modification is made it may render the product unsafe.

CAUTION/ATTENTION/PRECAUCIÓN

- **WARNING – RISK OF FIRE OR ELECTRIC SHOCK**
- Installation of this retrofit kit requires a person familiar with the construction and operation of the luminaire's electrical system and the hazard involved. If not qualified, do not attempt installation. contact a qualified electrician.
- Install this kit only in the luminaire that has the construction features and dimensions shown in the photographs and/or drawings and where the input rating of the retrofit kit does not exceed the input rating of the luminaire.
- Do not make or alter any open holes in an enclosure of wiring or electrical components during kit installation.
- **WARNING – TO PREVENT WIRING DAMAGE OR ABRASION.** Do not expose wiring to edges of sheet metal or other sharp objects.
- All electrical connections must be in accordance with local and National Electrical Code (N.E.C.) standards. If you are unfamiliar with proper electrical wiring connections obtain the services of a qualified electrician.
- This retrofit assembly is accepted as a component of a led luminaire where the suitability of the combination shall be determined by authorities having jurisdiction. The device is not intended for use with emergency exits.
- This fixture may be installed over a wet or damp location such as a shower stall or bathtub enclosure. The area above the ceiling surface must, however, be a dry location.
- This equipment has been tested and found to comply with the limits for a Class B digital device, pursuant to Part 15 of the FCC Rules. These limits are designed to provide reasonable protection against harmful interference in a residential installation. This equipment generates, uses and can radiate radio frequency energy and, if not installed and used in accordance with the instructions, may cause harmful interference to radio communications. However, there is no guarantee that interference will not occur in a particular installation. If this equipment does cause harmful interference to radio or television reception, which can be determined by turning the equipment on and off, the user is encouraged to try to correct the interference by one or more of the following:
 1. Reorient or relocate the receiving antenna.
 2. Increase the separation between the lighting unit and receiver.
 3. Connect the lighting unit into an outlet on a circuit other than the outlet which the receiver is connected
 4. Consult the dealer or an experienced radio/TV technician for assistance

- All electrical connections must be in accordance with local codes, ordinances and the National Electrical Code.
- This fixture is intended to be mounted to an outlet junction box. The box must be directly supported by the building structure.

NOTE: Please note that changes and modifications not expressly approved by the party responsible for compliance could void the user's authority to operate the equipment.

- **Dimmable to 10% with select dimmers:**

CARE AND MAINTENANCE

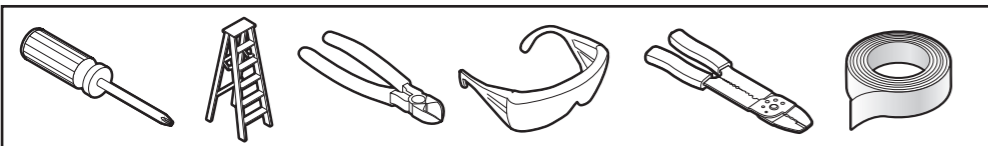
- Clean this unit periodically. Clean the surface finish only using water and mild soap; dry with a soft cloth. Never use rough cloth, abrasives or chemical cleaners containing acids or harsh solvents.
- LED bulb included; do not attempt to replace the LEDs.

PREPARATION

Before beginning assembly of product, make sure all parts are present. Compare parts with package contents list and hardware contents list. If any part is missing or damaged, do not attempt to assemble the product.

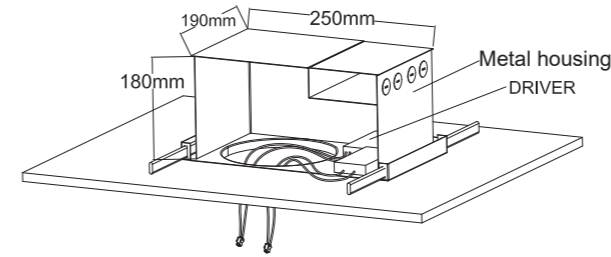
Estimated Assembly Time: 30-60 minutes

TOOLS REQUIRED (NOT INCLUDED)

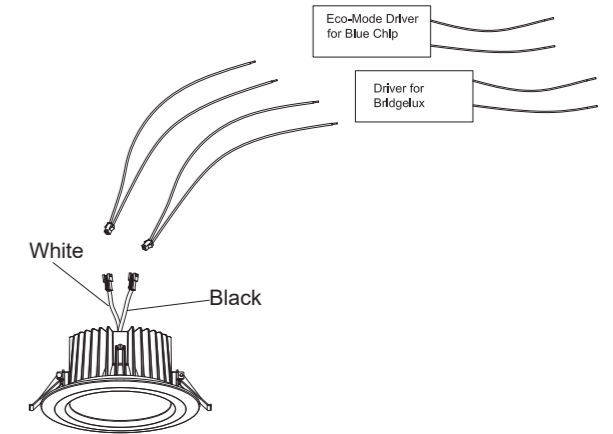


INSTALLATION OVERVIEW

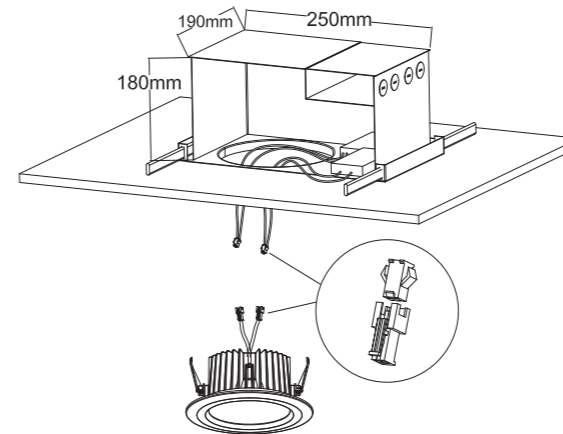
1. Install the metal housing on the ceiling.
2. Install the driver into the metal housing.



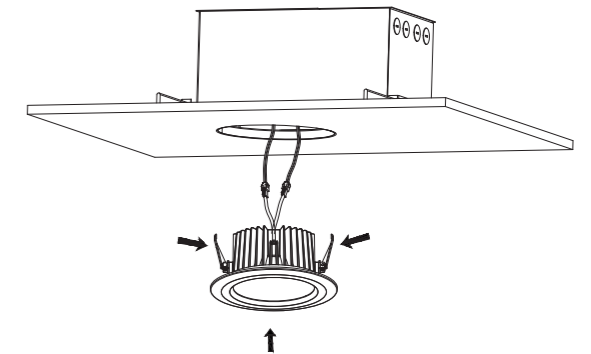
1. The end wire connection decide by the end user demand.



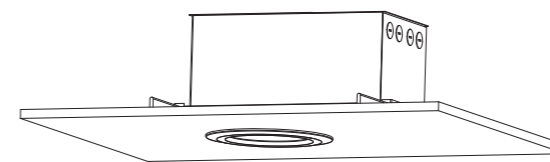
1. Pull out the wires of driver from the ceiling hole.
2. Connect the quick connector of the driver to the fixture - the male and female parts of the connector between the driver and the fixture should match.



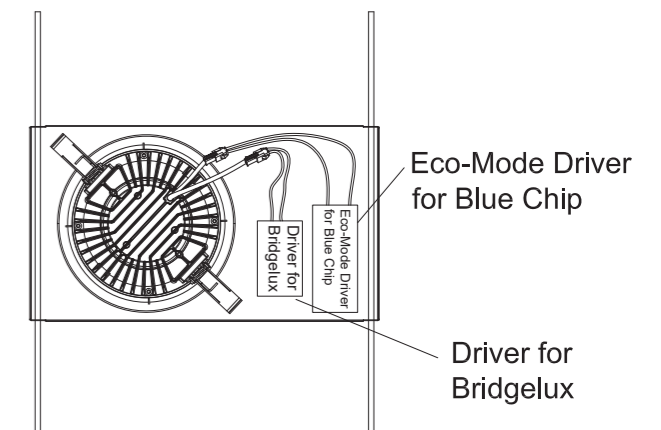
1. Squeeze both TORSION SPRINGS arms together and insert into the ceiling opening.



OVERVIEW - FRONT SIDE



OVERVIEW - BACK SIDE



Model	LED	Input Current	Input Voltage
VV-DWL-6-30-L // VV5106L	Blue Chip	600mA	20-35 VDC
	Bridgelux	450mA	30-42 VDC
VV-DWL-6-30-H // VV5106H	Blue Chip	600mA	20-35 VDC
	Bridgelux	600mA	30-42 VDC

APPLICATION GUIDE / GUIDE D'APPLICATION / GUÍA DE APLICACIÓN

To disinfect and reduce bacteria, the light must be in Disinfection Mode. The longer the light is on in Disinfection Mode, the more effective it will be in reducing bacteria. For continuous disinfection, run the product 24 hours each day in this mode. Consistently using the product every day will contribute to an overall reduction in bacteria.

This product is intended for use in various locations where you may want to actively disinfect the area. Popular locations include, but are not limited to, kitchens, laundry rooms, bathrooms, above a shower, tub, or bathing area, or any setting where antibacterial effect is desired. Table or Counter-top, floor, and wall surfaces are the target areas for disinfection. For best results, target surfaces should be within 9 feet of the installed light fixture. The fixture should be centered over the surface to maximize direct light contact.

This product will only impact bacteria that the light reaches. Objects blocking the light or casting shadows will not allow for optimal disinfection of the target surface. Keeping your surface free of large or bulky objects will improve overall ability of this product to disinfect.

This product is not intended to replace other forms of cleaning. When used in combination with good cleaning practices, this product will more effectively reduce and eliminate bacteria.

This product is not for disinfecting food or liquids.

TROUBLESHOOTING

PROBLEM	POSSIBLE CAUSE	CORRECTIVE ACTION
Light will not turn on.	<ol style="list-style-type: none"> 1. Power is off. 2. Bad main supply wiring. 3. Defective switch. 	<ol style="list-style-type: none"> 1. Make sure power supply is on. 2. Consult a certified professional electrician. 3. Consult a certified professional electrician.

WHAT GERMS IS ELLUMI EFFECTIVE AGAINST?

Bacteria

• Gram Positive

- Staphylococcus aureus (incl. MRSA)
- Clostridium perfringens
- Clostridium difficile
- Enterococcus faecalis
- Staphylococcus epidermidis
- Staphylococcus hyicus
- Streptococcus pyogenes
- Listeria monocytogenes
- Bacillus cereus
- Mycobacterium terrae
- Lactococcus lactis
- Lactobacillus plantarum
- Bacillus circulans
- Streptococcus thermophilus

• Gram Negative

- Acinetobacter baumannii
- Pseudomonas aeruginosa
- Klebsiella pneumoniae
- Proteus vulgaris
- Escherichia coli
- Salmonella enteritidis
- Shigella sonnei
- Serratia spp.
- Salmonella typhimurium

• Bacterial Endospores

- Bacillus cereus
- Clostridium difficile

• Yeast and Filamentous Fungi

- Aspergillus niger
- Candida albicans
- Saccharomyces cerevisiae